

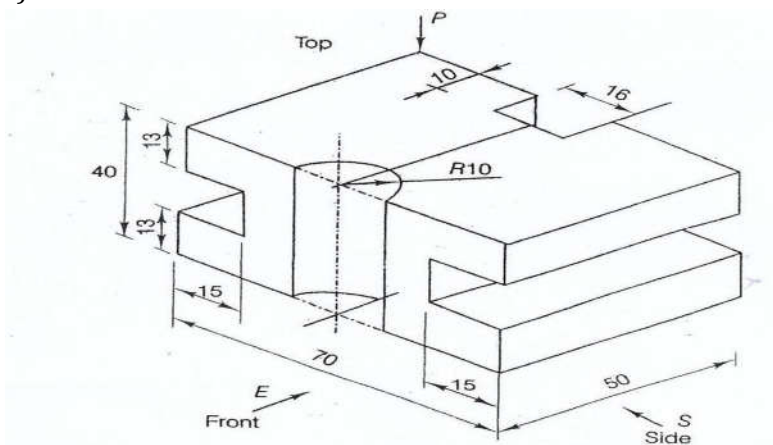
TRADE THEORY

1. When a person gets electric shock , What are the Do's and don'ts and what first Aid you will give ?
2. What are the effects of electric current , Explain them.
3. Explain KCL & KVL . Explain the principle and working of Wheat Stone Bridge .
4. What are Primary Cell and Secondary Cell ? What are the different methods of charging of batteries Explain them ?
5. What is AC and DC ? What are the merits of AC over DC ?
6. What in Phase Sequence ? write importance of phase sequence ? how you can determine the phase sequence by Phase Sequence indicator ?
7. What is Biasing ? Explain the two types of biasing .
8. What is rectifier ? draw and explain the function of full wave rectifier ?
9. What is transistor ? Explain the working of P-N-P Junction and N-P-N Junction ?
10. What is an Amplifier ? Draw and Explain the working of Amplifier Circuit . Draw a circuit of voltage divider based P-N-P Transistor Amplifier .

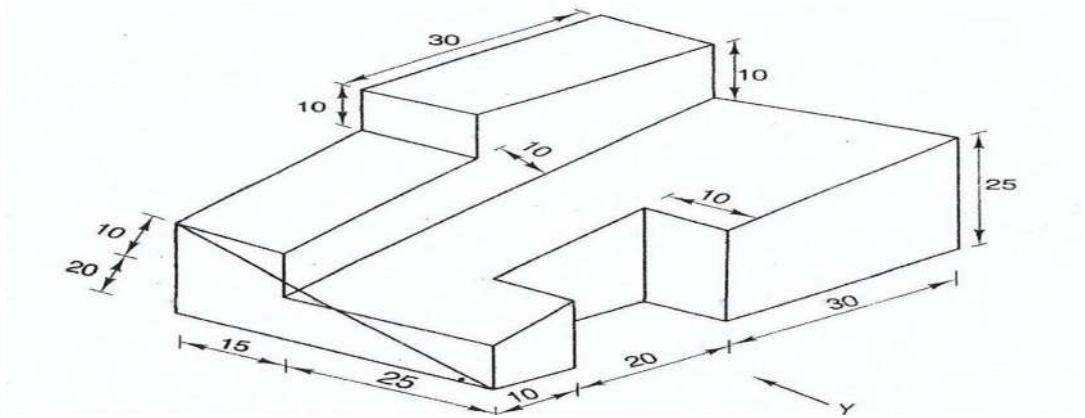
ENGINEERING DRAWING

1. Draw all given Isometric Projection .
2. Draw elevation , side , and plan of the all given Isometric Projection in third angle orthographic projection .

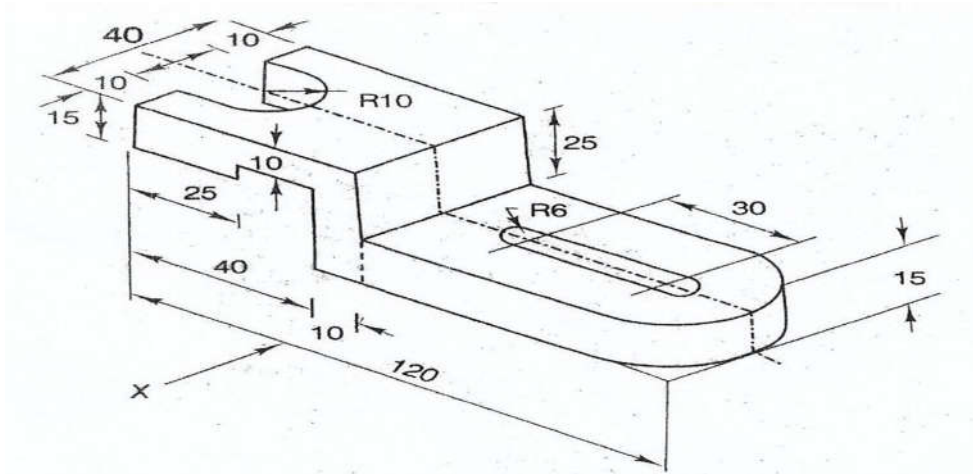
a)



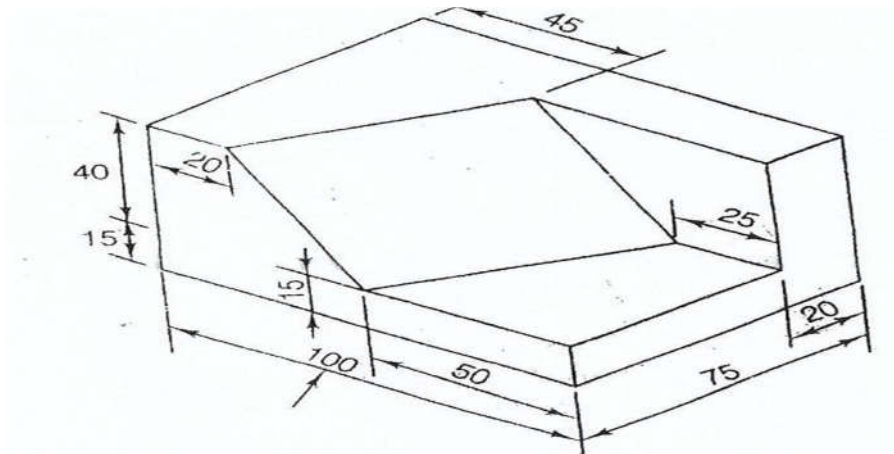
b)



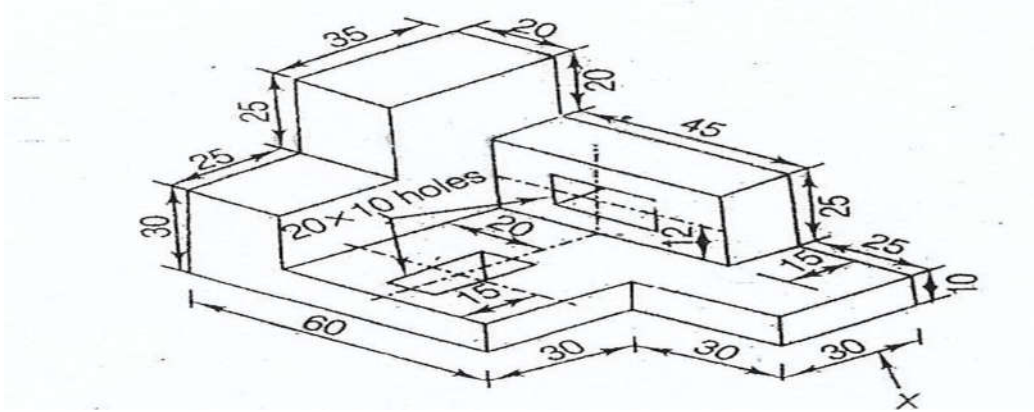
c)



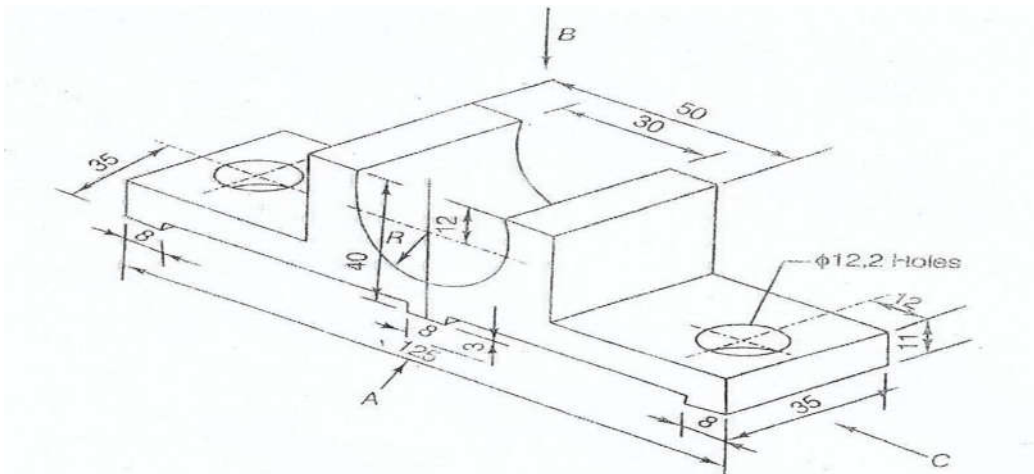
d)



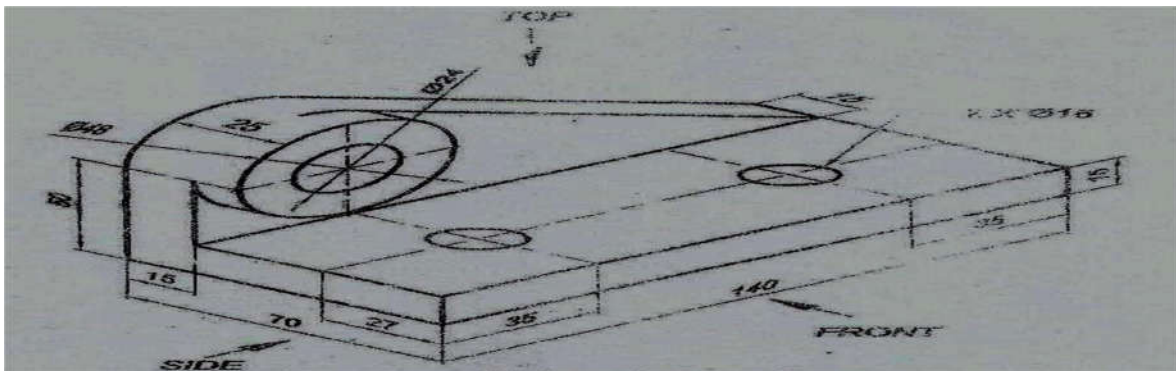
e)



f)



g)



1. What are units? Write the classification of units.
2. Define ohm's Law. If a parallel circuit of electricity has three resistance of value 8Ω , 5Ω and 3Ω . Calculate the total resistance of the circuit?
3. What is temperature? Describe different scales of temperature. Write the relation between them.
4. Explain lever and principle of lever. State different classes of levers with their applications.
5. Define factor of safety. What safe load can be suspended from a wire 6mm diameter, if the ultimate tensile strength of its material is $3500\text{kg}/\text{cm}^2$ and factor of safety is 5?
6. A man sold 9 tables and 7 chairs for Rs. 11320 and 6 tables and 13 chairs to another person for 12130. What was the price for each?
7. A rectangular sheet of metal measures 8cm by 6cm. Four quadrants of circles each of radius 2cm are cut away at corners. Find the area of remaining portion?
8. If $\sin\theta \cos\theta + \cos\theta \sin\theta = 2$, then find the value of θ ?
9. Write the difference between AC and DC?
10. Write about –
 - (a) Insulator
 - (b) Conductor
 - (c) Semi – Conductor
 - (d) Electromotive Force
 - (e) Frequency
11. Define the terms –
 - (a) Magnetic flux
 - (b) Magnetic flux density
 - (c) Permeability
 - (d) Reluctivity
 - (e) Electromagnet
 - (f) Magnetomotive force
12. Draw and briefly explain the various type of AC Waveform.
13. Convert $(1100101.00101)_2$ into equivalent decimal number.
14. Convert 1924 into hexadecimal equivalent.
15. Convert $(ACB.8C)_{16}$ into octal equivalent.

EMPLOYABILITY SKILLS

1. Write a note on “ world wide web “ and give it’s attributes .
2. What is communication? Explain the process of communication.
3. What is Motivation? Explain “MOSLAW ‘S NEED HIERARCHY THEORY “.
4. “We cannot manage the time, but we must manage ourselves according to time “Explain.
5. What are the Do’s and Don’ts while facing an interiors ?
6. What are the differences between values and Ethics?
7. What is Entrepreneurship? Discuss the Barriers faced by Entrepreneurs.
8. What do you mean by Small Scale Industries (SSI)?
9. Explain “SWOT “Analysis.
10. Explain “TQM”.
